

BLANCO LINEE

Item No. 517594

metallic surface

high pressure

Pros



Clear. Uncompromising. Consistent.

- Exclusive system design
- Coordinated perfectly with STEELART products, especially BLANCO CLARON and FLOW-IF
- Stainless steel satin polish for FLOW-IF and all CLARON without tap ledge
- Stainless steel brushed finish for CLARON-IF with tap ledge
- Enlarged working radius due to 360° swivelling arc spout

Colours



Available colours



chrome



Stainless steel
satin polish



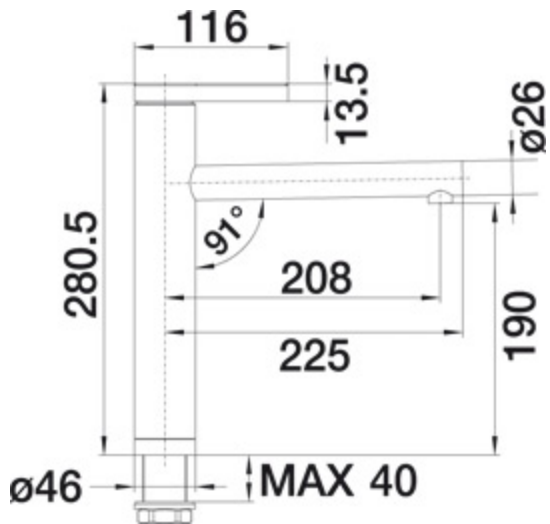
Stainless steel
brushed finish

metallic surface

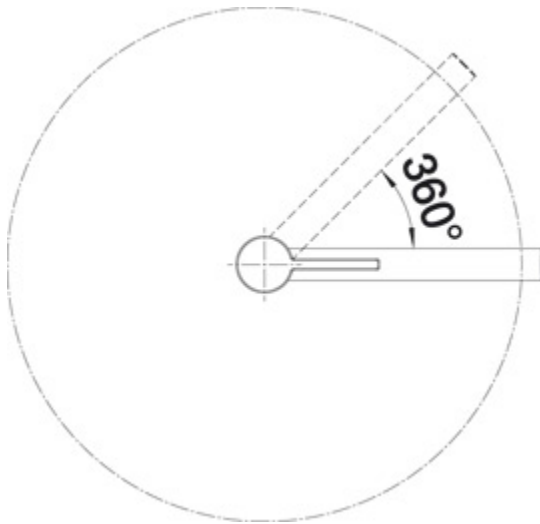
Item No. 517594

high pressure

Details



Side View



Swivelling

Scope of supply

- Spout can be swivelled by 360°
- Ø 35 mm tap hole required
- With ceramic disk cartridge
- Flexible connection pipes with a length of 450 mm and 3/8" nut for particularly easy and secure installation
- Patented jet regulator for markedly reduced scaling
- Stabilisation plate to increase the stability of the tap when fitted in stainless steel sinks
- LGA approved
- DVGW approved